

Product Code: RAPID25EXTERNAL
Rapid Saddle Conduit Saddle



Description

25mm Rapid Saddle

Finish

Delta Protekt® 120

Material

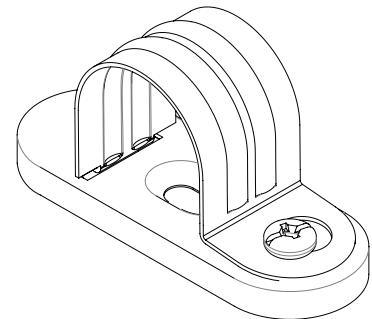
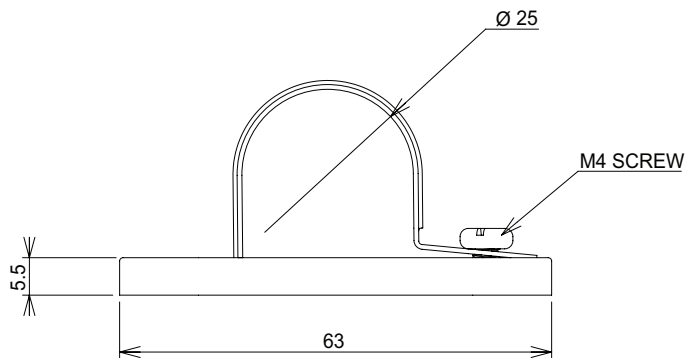
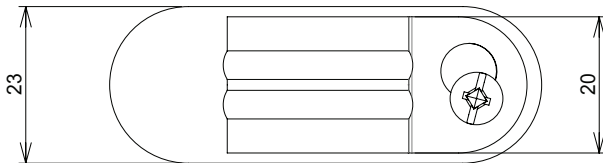
Pressed Steel

Packaging

Packed in qty 100

Additional Notes

Conforms to BSEN61386-1:2008+A1:2019 and BSEN61386-25:2011
Holds tube in situ to allow for easier installation.
Offers up to 40% labour savings.
For use in external installations.



Values are nominal and with a general tolerance $\pm 5\%$ unless otherwise specified